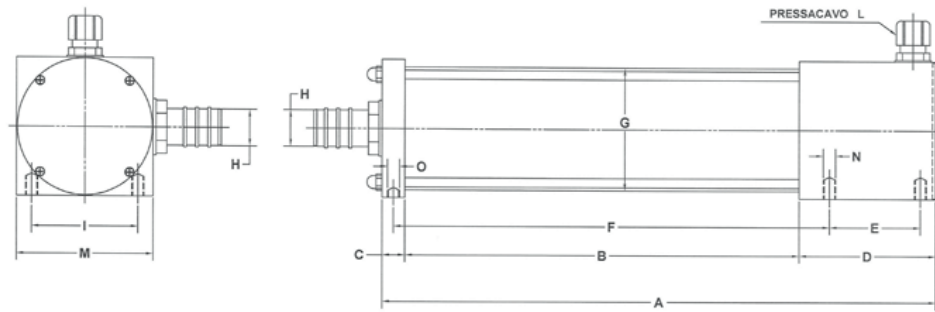


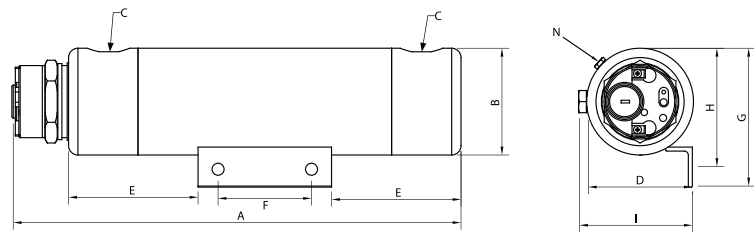
Dimensioni riscaldatore (mm) - Heater size (mm)

MOD.	A	B	C	D	E	F	G	H	I	L	M	N	O
AQ500/SA	265	160	15	90	60	287	Ø 80	1/2"	70	PG11	90	M8x21	M8x7
AQ1200/SA	365	260	15	90	60	287	Ø 80	1/2"	70	PG11	90	M8x21	M8x7

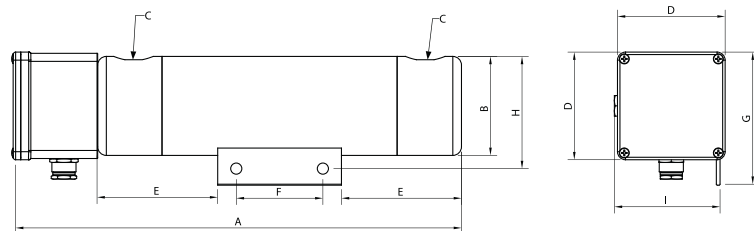


Dimensioni riscaldatore (mm) - Heater size (mm)

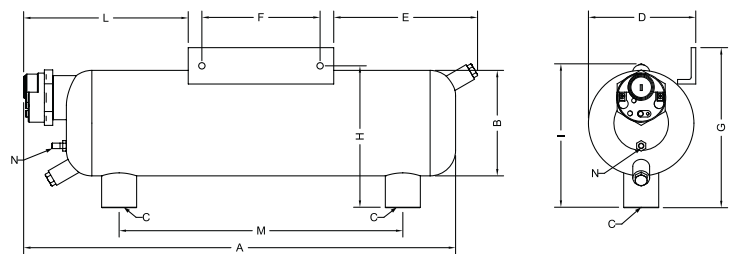
MOD.	A	B	C	D	E	F	G	H	I	L	M	N	O
AQ500	260	80	3/8 G	80	67,5	70	105	92	87			⊥	
AQ500/S	273	80	3/8 G	90	67,5	70	110	92	87			⊥	
AQ1200	345	80	1/2" G	80	99	70	105	92	87			⊥	
AQ1200/S	364	80	1/2" G	90	99	70	110	92	87			⊥	
AQ3000	410	100	3/4" G	100	119	130	120	107	108			⊥	
AQ3000/S	440	100	3/4" G	90	119	130	115	115	102			⊥	
AQ3000/V	475	116	1" G	118	157	130	175	155	157	182	312	⊥	
AQ3000/VT	560	116	1" G	118	157	130	175	155	165	260	312	⊥	100



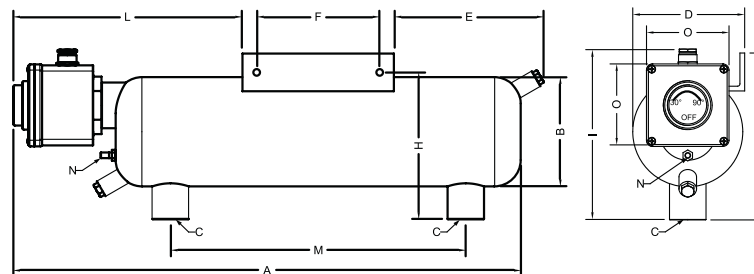
AQ500
AQ1200
AQ3000



AQ500/S
AQ1200/S
AQ3000/S



AQ3000/V



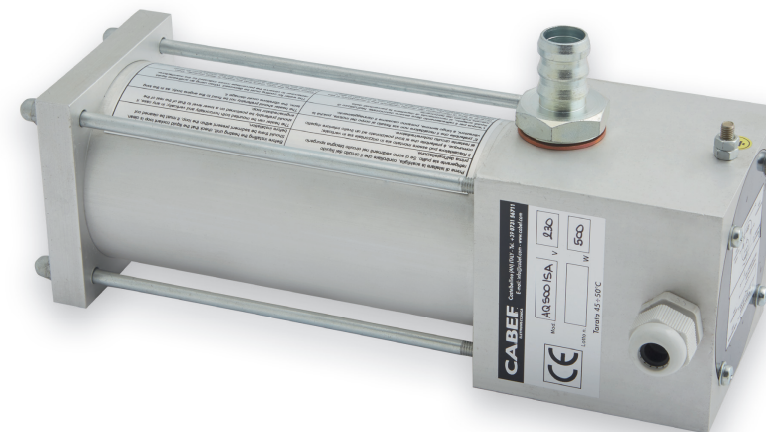
AQ3000/VT

RISCALDATORI HEATERS

**RISCALDATORE AD ACQUA MONOFASE
PER CIRCUITI CHIUSI IN ALLUMINIO**
ALUMINIUM WATER HEATERS SINGLE PHASE FRO CLOSED CIRCUITS

**RISCALDATORE AD ACQUA MONOFASE CON CUFFIA
O SCATOLA DI PROTEZIONE PER CIRCUITI CHIUSI**
WATER HEATER SINGLE PHASE WITH A CUFIA OR SINGLE BOX OF
PROTECTION FOR CLOSED CIRCUITS

AQ500/SA



AQ1200



